

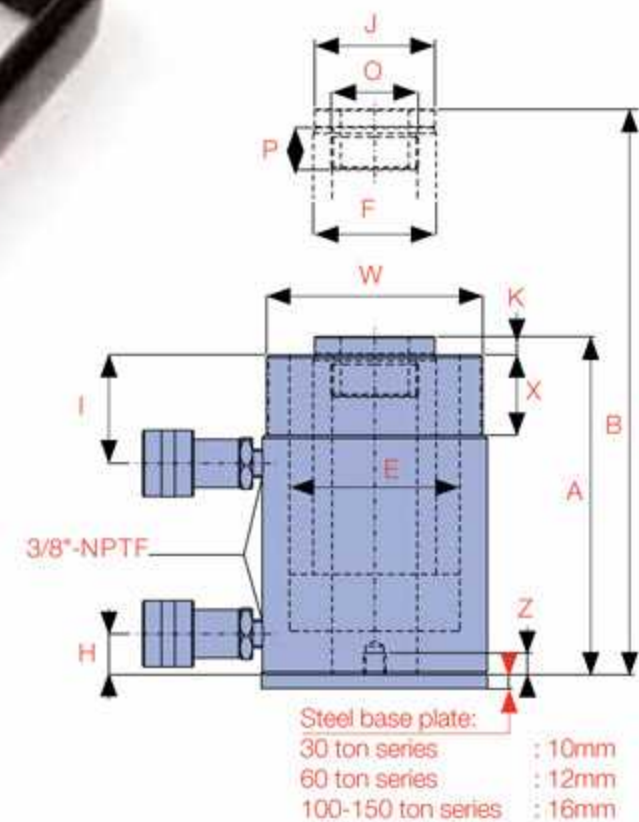
**B**

**CYLINDERS**



THE **RHD-SERIES** IS A DOUBLE ACTING HOLLOW PISTON ROD CYLINDER.

The hollow piston allows for a rod or cable to be inserted through the entire body length, while the double acting design improves speed of operation when longer stroke cylinders are required. They can be used in tensioning, load testing, bush extracting, and maintenance applications. All cylinders in this range have base mounting holes.



Model Number	Cylinder Capacity			Stroke (mm)	Cylinder Effective Area		Oil Capacity		A Collapsed Height (mm)	B Extended Height (mm)	D Outside Diameter (mm)	E Cylinder Bore Diameter (mm)
	ton*	Advance kN	Retract kN		Advance (cm <sup>2</sup> )	Retract (cm <sup>2</sup> )	Advance (cm <sup>3</sup> )	Retract (cm <sup>3</sup> )				
RHD-307	30	326	213	178	46.6	30.4	830	541	330	508	114	88.9
RHD-3010		326	213	258	46.6	30.4	1,203	784	431	689	114	88.9
RHD-603	60	576	377	94	82.3	53.8	732	479	247	336	159	123.9
RHD-606		576	377	166	82.3	53.8	1,366	893	323	489	159	123.9
RHD-6010		576	377	257	82.3	53.8	2,115	1,382	438	695	159	123.9
RHD-1001	100	931	612	38	133.0	87.4	506	332	165	203	212	165.1
RHD-1003		931	612	76	133.0	87.4	1,012	664	254	330	212	165.1
RHD-1006		931	612	153	133.0	87.4	2,037	1,337	342	495	212	165.1
RHD-10010		931	612	257	133.0	87.4	3,421	2,245	460	717	212	165.1
RHD-1508	150	1,429	718	203	204.1	102.6	4,142	2,082	349	552	247	190.5

\* Nominal Cylinder Capacity in ton - see kN values for actual capacity



**B**  
**CYLINDERS**

**SAFETY PRESSURE**

relief valve protects cylinder from intensification due to checked hydraulic return coupling

**GLAND NUT**

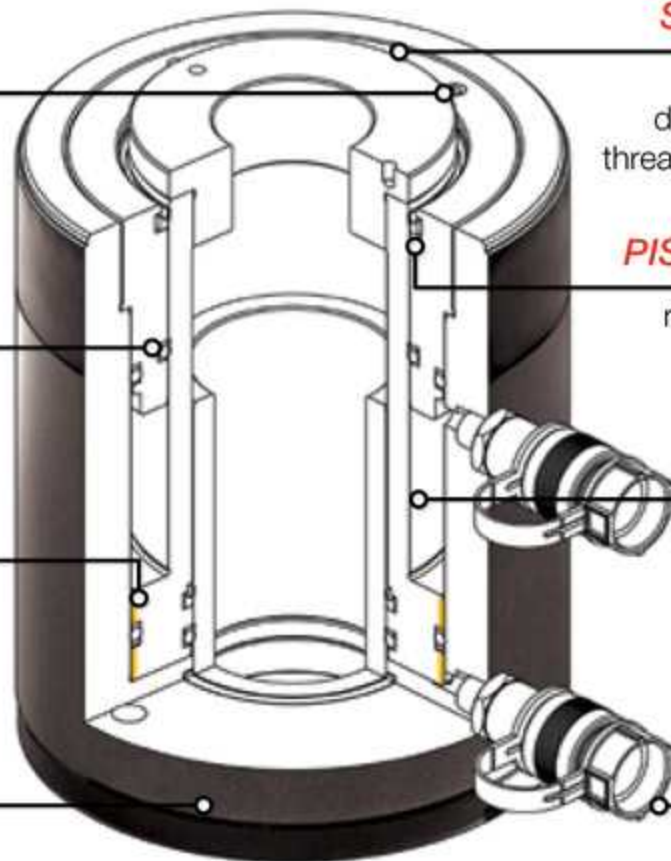
with low friction coating withstands full dead end loading

**BRONZE OVERLAY**

on piston bearing area reduces side load induced damage and extends cylinder life

**STEEL BASE PLATE**

protects base and is removable to allow use of threaded mounting holes



**THREADED FIT SMOOTH SADDLE**

to prevent piston rod damage. Optional TSH threaded saddles available

**PISTON ROD WIPER**

reduces contaminants

**HARD CHROME PLATED PISTON ROD**

for maximum corrosion resistance and cylinder life

**PARKER**

industry standard high flow coupling for compatibility



**CAPACITY**

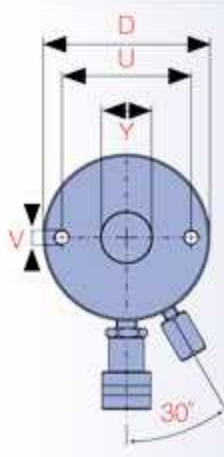
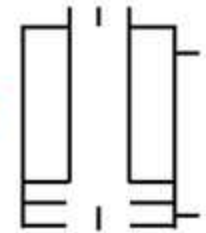
**30 - 150 ton**

**STROKE**

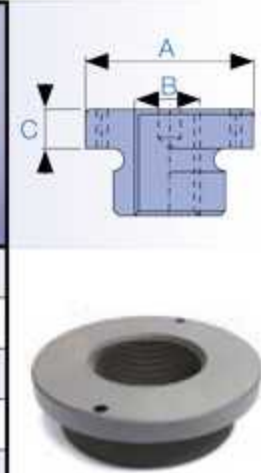
**38 - 258 mm**

**MAXIMUM OPERATING PRESSURE**

**700 bar**



Base Mounting Holes			Model Number	Optional Threaded Saddles			Handle Type	
U Bolt Circle Diameter (mm)	V Thread	Z Thread Depth (mm)		Model Number	A (mm)	B		C (mm)
92.2	3/8"-16UNC	15.7	<b>RHD-307</b>	TSH-30	63	1-1/4"-7UNC	9	▼
92.2	3/8"-16UNC	15.7	<b>RHD-3010</b>	TSH-30	63	1-1/4"-7UNC	9	▼
130.0	1/2"-13UNC	14.0	<b>RHD-603</b>	TSH-60	91	1-5/8"-5-1/2UN	12	▼
130.0	1/2"-13UNC	14.0	<b>RHD-606</b>	TSH-60	91	1-5/8"-5-1/2UN	12	▼
130.0	1/2"-13UNC	14.0	<b>RHD-6010</b>	TSH-60	91	1-5/8"-5-1/2UN	12	▼
177.8	5/8"-11UNC	19.0	<b>RHD-1001</b>	TSH-100	126	2-1/2"-8UN	13	▼
177.8	5/8"-11UNC	19.0	<b>RHD-1003</b>	TSH-100	126	2-1/2"-8UN	13	▼
177.8	5/8"-11UNC	19.0	<b>RHD-1006</b>	TSH-100	126	2-1/2"-8UN	13	▼
177.8	5/8"-11UNC	19.0	<b>RHD-10010</b>	TSH-100	126	2-1/2"-8UN	13	▼
214.0	5/8"-11UNC	15.0	<b>RHD-1508</b>	-	-	-	-	▼



F Piston Rod Diameter (mm)	H Base to Advance Port (mm)	I Top to Return Port (mm)	J Standard Saddle Diameter (mm)	K Saddle Protrusion from Piston Rod (mm)	O Piston Rod Internal Thread	P Piston Rod Thread Length (mm)	W Collar Thread	X Collar Thread Length (mm)	Y Centre Hole Diameter (mm)	Weight (kg)	Model Number
63.5	25	60	63	9	1-13/16"-16UN	22	4-1/2"-12UN	42	33.3	21.0	RHD-307
63.5	25	60	63	9	1-13/16"-16UN	22	4-1/2"-12UN	42	33.3	27.0	RHD-3010
92.2	31	66	91	12	2-3/4"-16UN	19	6-1/4"-12UN	48	54.1	28.0	RHD-603
92.2	31	66	91	12	2-3/4"-16UN	19	6-1/4"-12UN	48	54.1	35.0	RHD-606
92.2	31	66	91	12	2-3/4"-16UN	19	6-1/4"-12UN	48	54.1	45.0	RHD-6010
127.0	38	44	126	12	4"-16UN	25	-	-	79.5	33.0	RHD-1001
127.0	38	85	126	12	4"-16UN	25	8-3/8"-12UN	60	79.5	61.0	RHD-1003
127.0	38	85	126	12	4"-16UN	25	8-3/8"-12UN	60	79.5	79.0	RHD-1006
127.0	38	85	126	12	4"-16UN	25	8-3/8"-12UN	60	79.5	106.0	RHD-10010
152.4	38	60	127	4	4-1/4"-12UN	25	-	-	79.5	111.0	RHD-1508

HANDLE TYPES: ♣ WELDED ♦ EYEBOLT ▼ REMOVABLE STRAP HANDLE ♠ THREAD